

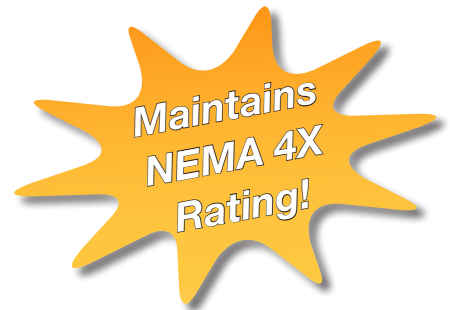
NEMA 4X Ventilation Kit

Ventilation Kit Maintains NEMA 4X Rating

P/N AMVENT4XLG

Proper ventilation for an electrical enclosure can help ensure the critical electronic components housed in the enclosure operate continuously and efficiently. After all, enclosures are found in many environments around the world - from salty coastal areas to humid factories to frozen tundras; keeping the components working on the inside, in any type of environment, is integral to the enclosure system.

Allied Moulded has developed a ventilation kit that maintains the enclosure's NEMA Type 4X rating. With a formed-in-place (FIP) polyurethane gasket and 316 Stainless Steel screws, the ventilation kit attaches securely to the side of any enclosure. The series of baffles on the inside create an air flow pattern that allows air to pass freely from inside the enclosure to the outside environment, thus reducing heat and condensation on the inside.



VENT KIT FEATURES

- Polycarbonate material offers a wide range of chemical compatible applications
- Innovative baffles allow air flow to reduce condensation and heat within enclosure
- Protects from rain and hose-directed water spray
- RAL 7035 light gray color
- UL® and CSA® listed enclosure product
- Assembly designed to maintain applicable NEMA/UL/CSA enclosure ratings
**Note: For use on flat surfaces of Type 1, 3R, 4, 4X and 12 enclosures*
- Designed for use with wall thicknesses from 16 gauge through 1/4"
- Designed for use with all metallic and nonmetallic enclosure materials



Sample installation of one unit of AMVENT4XLG.

CONTACT INFORMATION

Allied Moulded Products, Inc.
222 North Union Street
Bryan, OH 43506 USA

Phone: 1-800-722-2679

Fax: 1-800-237-7269

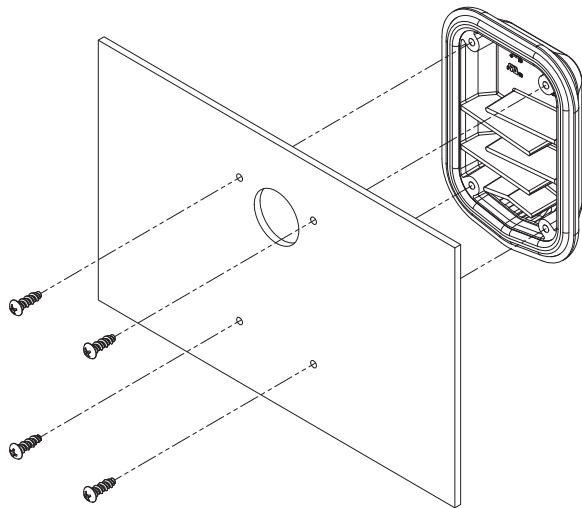
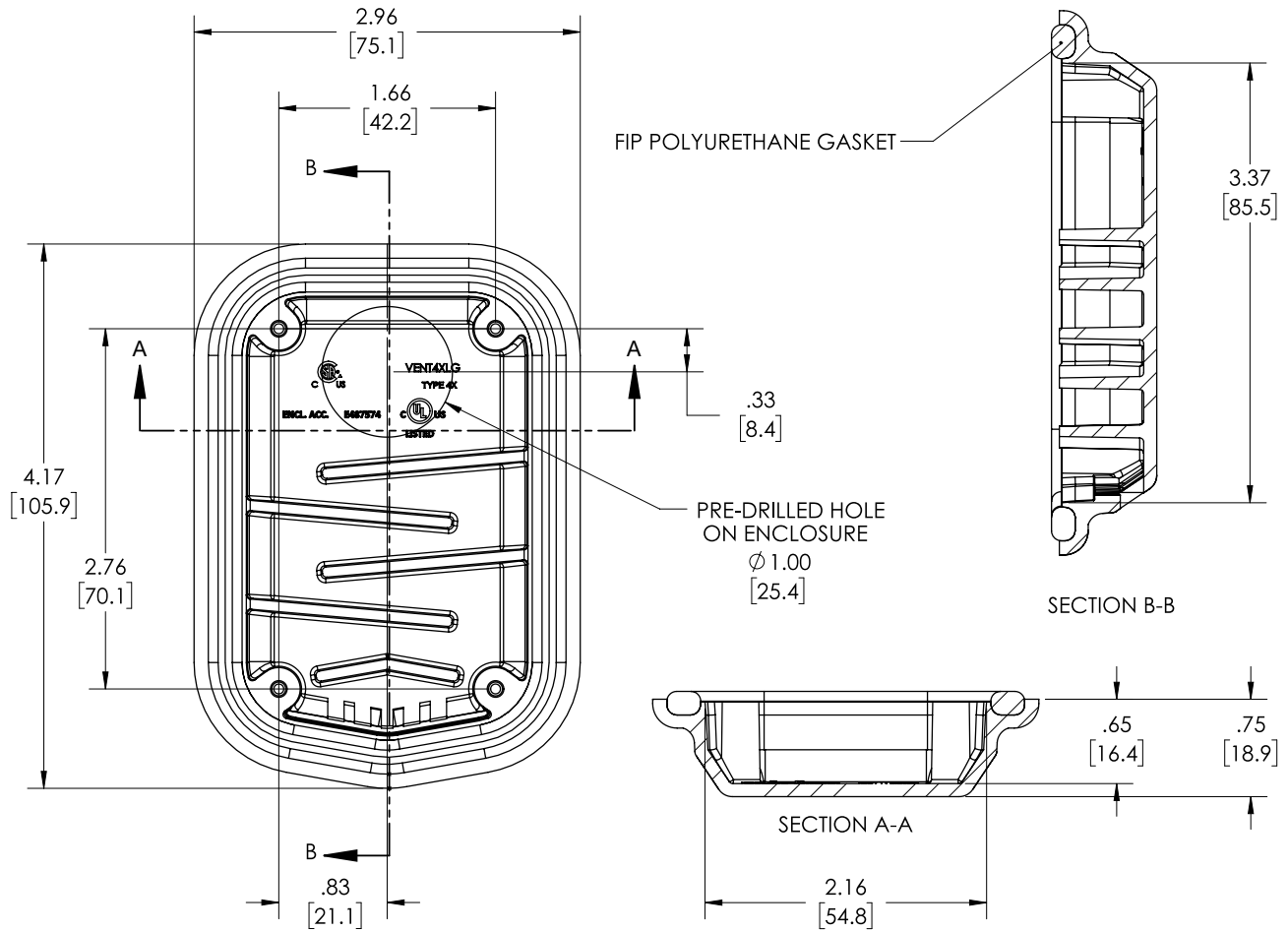
Email: sales@alliedmoulded.com



**ALLIED
MOULDED
PRODUCTS, Inc.**

www.alliedmoulded.com

NEMA 4X Ventilation Kit



Installation diagram shows the screws and ventilation hole on the inside of the enclosure.

Note: For use on a smooth flat surface of NEMA Types 1, 3R, 4, 4X and 12 enclosures.



Part Number	Description
AMVENT4XLG	2 pcs. of NEMA 4X ventilation kit

Note: Two (2) kits are included in the package, as both should be installed for proper ventilation of the enclosure.



ALLIED MOULDED PRODUCTS, Inc.



www.alliedmoulded.com